

Sunlight Visible LED Lamp



Part No. - LSLED-006 Series - Refer to Key for Specific Part Number



Ingram has a large variety of AC and DC LED bulbs for your alarm light needs. This series will fit in our LX4 alarm. The LED package fits all 9mm, T3-1/4 base sockets. For applications where low power, sunlight visible lighting is required.

Features

- Daylight visible
- Fits 9mm (T3-1/4) socket
- Great for low voltage warning lights
- Durable, long life
- Available in red, green and amber
- Much greater resistance to shock and vibration than conventional filament bulbs.

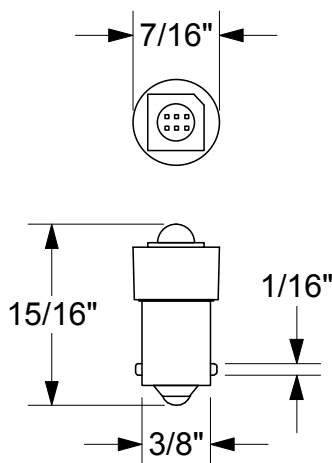
Applications

- Panel mount pilot lights
- Indicator lights for instrumentation

Technical Specifications

- Operating voltage: 12V & 24V AC or DC, 120VAC*
- Current draw: 30mA @ 12V
30mA @ 24V
4mA @ 120V
- Operation Life: 50,000 hrs
- Contact Polarity: Bipolar

* Be aware that due to power dissipation constraints the 120VAC version is not as bright.



Dimensions

LSLED-006zxxxxxx

COLOR (z)

R=red
A=amber
G=green

VOLTAGE (x)

12VAD=12VDC/VAC
24VAD=24VDC/VAC
120VAC=120VAC

Example: Red LED lamp,
24 VDC or 24 VAC would
be LSLED-006R24VAD.

Part Number Ordering Key