



Approximation to MB12MAF04RA Series
(Drawing not available) Dimensions are correct
Contact Ingram Product - Sales with more questions

日期 Date	修改内容 Description	发行版本 Revision	变更编号 ECN NO.

Part number (产品料号): MA12MSAF**RAXXXXXX
(* refers to pins number)

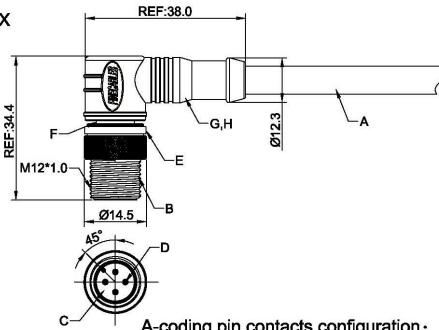
Connector series: M12

Product description:

产品描述:
M12 360° shielded male molded plug, right angled
M12 公头、全屏蔽型、成型带线式、直角弯头

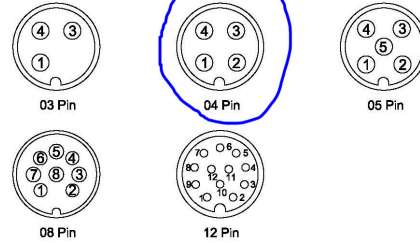
Remark(备注):

- 1.Cable specification by custom (线材与接线规格可定制)
- 2.PVC, PUR cable jacket are available (PVC, PUR线材外被可供选择)
- 3.A, B, C, D Coding are available (A, B, C, D Coding 可供选择)



A-coding pin contacts configuration:

(A-coding针/孔位图): 4 pin only available version



H	TPU	Molded with black TPU	g
G	Tube	Black heat shrinking tube	pcs
F	Pipe	Copper pipe for shielding	pcs
E	Loop	Black plastic loop (Molded with PA+GF)	pcs
D	Terminal	M12 male terminal,brass with gold plating	pcs
C	Housing	M12 black male housing(Molded with TPU)	pcs
B	Screw	M12*1.0 screw, brass with nickel plating	pcs
A	Cable available	Black PVC cable UL2464; Only yellow available Black-PUR cable UL20549 or by custom	mm
编号 No.	品名 Name	材料/规格 Description	单位 Unit
	文件路径 File Path	\\Finecable-sv\eng\Drawing	

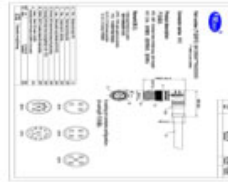
M12 male molded cable, right angled.

M12 male molded cable, right angled, shielded, A coding

Part number: MA12MSAF**RAXXXX34

Standard: IEC 61076-2-101

Certification: UL, CE



Description

M12 male molded cable, right angled, shielded, A/B/C/D coding.

Electrical Data

Rated voltage:	250V / 60V / 30V
Insulation resistance:	≥20MΩ
Rated current:	4A / 2A / 1.5A
Contact resistance:	≤5MΩ
Ambient temperature:	-20°C ~ +80°C

Connector Specification

Polarity:	3/ 4/ 5/ 8/ 12
Overmold:	TPU
Contacts:	Brass with gold plated
Insert:	TPU
Coupling nut/screw:	Brass with nickel plated
Degree of protection:	IP 67

Cable Specification

Cable type:	UL2464 / UL20549
Cable length:	customized
Cable jacket:	PVC or PUR
Core insulation material:	PVC
Core cross-section:	0.34mm ² ~ 0.14mm ²