

Piezo Sound Alarm

Part No_ (See attached chart for specific information for your model)



The PW and PB series of panel mount piezo sound alarms was designed to be a cost-effective audible alarm for use in industrial control systems. It is molded from tough GE Valox, weatherproof and suitable for use in corrosive environments, outdoor and indoor.

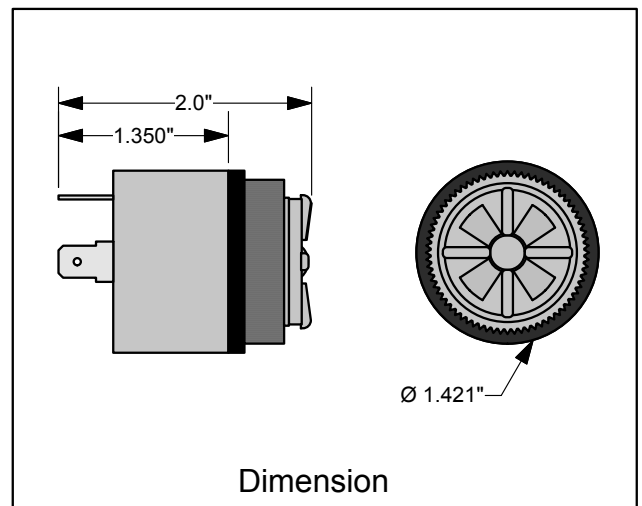
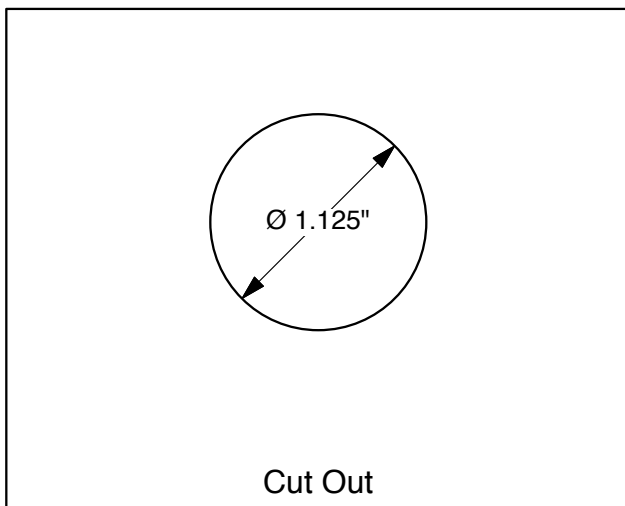
*** Most models will work with Ingram's SM120A Silence Module. The exceptions are the PB515DUW/UC-X or PB628DUW/UC-X**

Features

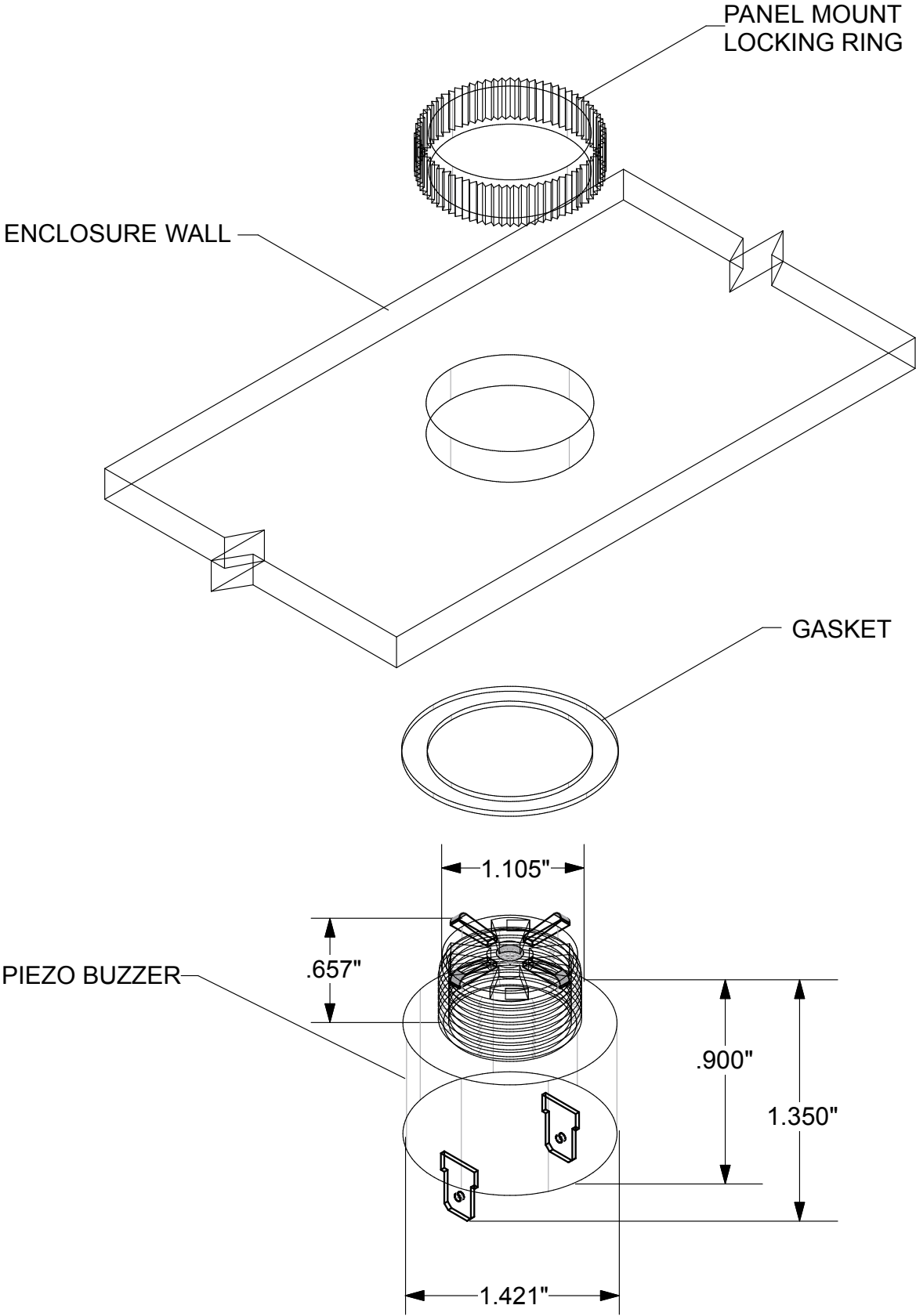
- Distinctive tones cut through ambient noise
- UL Recognized (E175530) for use in UL Type 3, 3R, 4X, 12 and 13 environments
- Also meets NEMA 3, 3R, 4X, 12 and 13 requirements
- All solid state construction = reliability
- Encapsulated for durability and corrosion resistance
- Molded from tough GE Valox
- Low power consumption
- Installs in 1.125" hole or 3/4" standard K.O.
- Comes with gasket installed
- PW Series available in Red or Black
- PB Series available in Black

Technical Specifications

- Sound output: Varies by model (see chart)
 - 95dB min @ 2 Feet
 - 103dB min @ 2 Feet
 - 108dB min @ 2 Feet
- Resonant frequency 2.9± 0.5kHz
- Operating voltage: See Chart
- Maximum current draw: See Chart
- Operating temperature: -20°C to 50°C
- Electrical connections: 1/4" Quick connect terminals.
- Fits panels up to 1/4" thick
- Comes with manual volume Damper (removable)
- Multitone buzzers have 3 terminals



Piezo Installation



Piezo Sound Alarm Models



Ingram Part #	Voltage	Current Max	Tone Type	Output	UL & Nema Rating
PW120A	40 to 130 VAC	40.0 mA	Warble	95dB	3, 3R, 4, 4X, 12 & 13
PW24D	10 to 28 VDC	30.0 mA	Warble	95dB	3, 3R, 4, 4X, 12 & 13
PW12D	4 to 15 VDC	30.0 mA	Warble	95dB	3, 3R, 4, 4X, 12 & 13
PB120AMB-X	120 VAC	20.0 mA	Medium Loud Beep	95dB	3, 3R, 4, 4X, 12 & 13
PB120AXC-X	120 VAC	30.0 mA	Extra Loud Continuous	103dB	3, 3R, 4, 4X, 12 & 13
PB120AMC-X	120 VAC	30.0 mA	Medium Loud Continuous	95dB	3, 3R, 4, 4X, 12 & 13
PB530ADMC-X	5 to 30 AC/DC	30.0 mA	Medium Loud Continuous	95dB	3, 3R, 4, 4X, 12 & 13
PB330DXCX-X	3 to 30 VDC	30.0 mA	Extra Loud Continuous	103dB	3, 3R, 4, 4X, 12 & 13
PB524ADMW-X	5 to 24 AC/DC	25.0 mA	Medium Loud Warble	95dB	3, 3R, 4, 4X, 12 & 13
PB525DCH-X	5 to 25 VDC	40.0 mA	Chime	95dB	3, 3R, 4, 4X, 12 & 13
PB628DUT-X	6 to 28 VDC	50.0 mA	Ultra Loud Staccato	108dB	3, 3R, 4, 4X, 12 & 13
PB628DUS-X	6 to 28 VDC	50.0 mA	Ultra Loud Siren	108dB	3, 3R, 4, 4X, 12 & 13
PB628DUW-X	6 to 28 VDC	50.0 mA	Ultra Loud Warble	108dB	3, 3R, 4, 4X, 12 & 13
PB515DUW/UC-X	5 to 15 VDC	50.0 mA	Ultra Loud Warble or Continuous	108dB	3, 3R, 4, 4X, 12 & 13
PB628DUW/UC-X	6 to 18 VDC	50.0 mA	Ultra Loud Warble or Continuous	108dB	3, 3R, 4, 4X, 12 & 13
PB624ADFB-X	6 to 24 AC/DC	40.0 mA	Fast Beep	95dB	3, 3R, 4, 4X, 12 & 13
PB120AFB-X	120 VAC	60.0 mA	Fast Beep	95dB	3, 3R, 4, 4X, 12 & 13
PB120AFS-X	120 VAC	40.0 mA	Fast Siren	95dB	3, 3R, 4, 4X, 12 & 13
PB630ADFS-X	6 to 30 AC/DC	60.0 mA	Fast Siren	95dB	3, 3R, 4, 4X, 12 & 13

Also Available:

PS12DWOGD - Same as PW12D but without gasket and damper