

DC Audio Alarm & Beacon



Part No. Sounder31: AH03127-BS



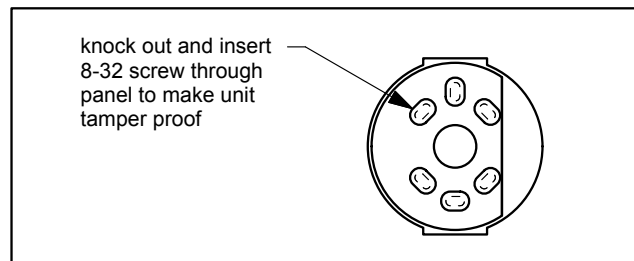
The Sounder31 siren with LED was designed for use in industrial control systems as well as for use in fire alarm and security systems. The combination audio and visual is particularly useful in areas with high ambient noise levels where an audible signal may not be heard.

Features

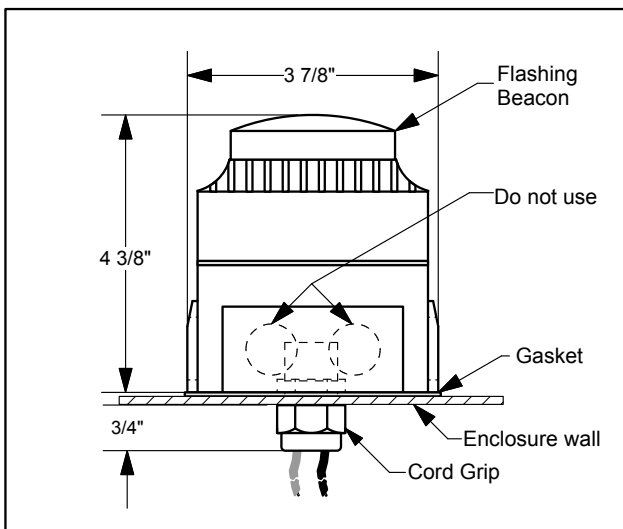
- 31 tones selectable by dip switch
- Weather proof
- High sound output
- Variable output
- Low current consumption
- 18/24 VDC auto select
- High efficiency lens for maximum light output
- High reliability LED light source
- Two sets of in and out terminals for parallel operation
- Multiple mounting methods
- Easy one hole mounting
- Add 8-32 screw to make unit tamper proof
- Supplied with UL Listed cord grip that accepts wire from 1/8" - 3/16" OD

Technical Specifications

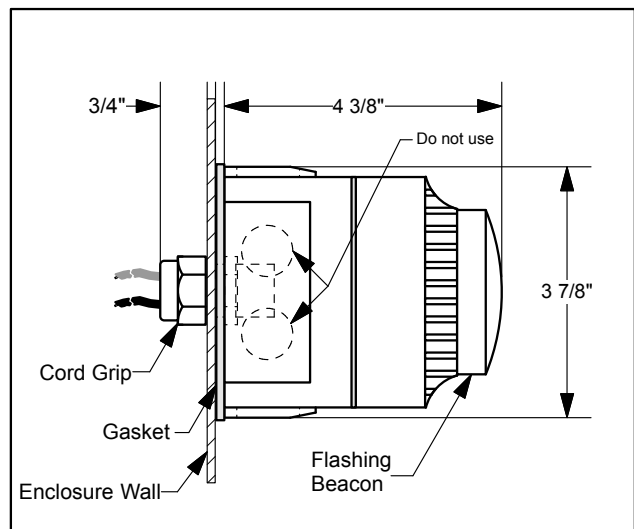
- Voltage: 18~24 VDC
- Current Draw: 34mA max
- Vertical Mounting not recommended for outdoor use
- Do not use two knock outs in front of unit



Bottom View



Mounting for Indoor Use



Mounting for Outdoor Use

Technical Data for AHM Series Alarms

Switch Positon	Tones	Output (dB)	Current (mA)
	Alternating Tones 800/970 Hz at 2Hz	101	15.1
	Sweeping 800/970Hz at 7Hz	100	16.1
	Sweeping 800/970Hz at 1Hz	110	14.5
	Continuous at 2850Hz	110	37.4
	Sweeping 2400-2850Hz at 7Hz	109	25.4
	Sweeping 2400-2850Hz at 1Hz	112	24.2
	Slow Whoop	101	14.7
	Sweep 1200 - 500Hz at 1Hz	100	15.7
	Alternating Tones 2400/2850Hz at 2Hz	112	26.4
	Intermittent Tones of 970 Hz at 1Hz	102	13.0
	Alternating Tones 800/970Hz at 1Hz	103	16.2
	Intermittent Tones of 2850Hz for 400ms	114	13.7
	970Hz at 1/4 sec. On, 1 sec. Off	98	13.0
	Continuous at 970Hz	106	19.9
	554 Hz for 100ms and 440Hz for 400ms	97	14.5
	Intermittent 660Hz 150ms on / 150ms off	93	14.7
	Intermittent 600Hz 1.8 sec. on / 1.8 sec. off	96	12.5
	Intermittent 600Hz 6.5 sec. on / 13 sec. off	96	12.9
	Continuous 660Hz	95	15.0
	Alternating 554 / 440Hz at 1Hz	100	14.7
	Intermittent 660Hz at 1Hz	95	13.1
	Intermittent 2850Hz 500ms on / 500ms off	111	16.1
	Sweep 800- 970Hz at 50Hz	98	17.7
	Sweep 2400 - 2850Hz 500ms on / 500ms off	109	33.7
	Intermittent 970Hz 500ms on 500ms off	102	13.0
	Intermittent 2850Gz 500ms on 250ms off	114	13.5
	Continuous at 4kHz	108	26.5
	Intermittent 400Hz 500ms on / 250ms off	98	14.2
	Intermittent 400Hz 500ms on / 250ms off	95	13.5
	Sweeping 320 / 480Hz at 40Hz	95	14.0
	Intermittent 2kHz 200ms on / 500ms off	108	14.0

No.	Tones	Code 12345	Output (dB)* ₁	Current (mA)* ₂
1	Alternating Tones 800/970 Hz at 2Hz	11111	94	15.1
2	Sweeping 800/970 Hz at 7Hz	11110	92	16.1
3	Sweeping 800/970 Hz at 1Hz	11101	101	14.5
4	Continuous at 2850Hz	11100	110	37.4
5	Sweeping 2400 - 2850 Hz at 7Hz	11011	109	25.4
6	Sweeping 2400 - 2850 Hz at 1Hz	11010	112	24.2
7	Slow Whoop	11001	101	14.7
8	Sweep 1200 - 500 Hz at 1Hz	11000	100	15.7
9	Alternating Tones 2400/2850 Hz at 2Hz	10111	112	26.4
10	Intermittent Tones of 970Hz at 1Hz	10110	102	13.0
11	Alternating Tones 800/970 Hz at 1Hz	10101	103	16.2
12	Intermittent Tones of 2850Hz at 1Hz	10100	114	13.7
13	970Hz at 1/4 sec. on, 1 sec. off	10011	98	13
14	Continuous at 970Hz	10010	106	19.9
15	554Hz for 100ms and 440Hz for 400ms	10001	97	14.5
16	Intermittent 660Hz 150ms on / 150ms off	10000	93	14.7

No.	Tones	Code 12345	Output (dB)* ₁	Current (mA)* ₂
17	Intermittent 600Hz 1.8 sec. on /1.8 sec. off	01111	96	12.5
18	Intermittent 600Hz 6.5 sec. on /13 sec. off	01110	96	12.9
19	Continuous 660Hz	01101	95	15
20	Alternating 554/440 Hz at 1Hz	01100	100	14.7
21	Intermittent 660Hz at 1Hz	01011	95	13.1
22	Intermittent 2850Hz 150ms on /100ms off	01010	111	16.1
23	Sweep 800 - 970 Hz at 50Hz	01001	98	17.7
24	Sweep 2400 - 2850 Hz at 50Hz	01000	109	33.7
25	Intermittent 970Hz 500ms on /500ms off	00111	102	13.0
26	Intermittent 2850Hz 500ms on /500ms off	00110	114	13.5
27	Continuous at 4kHz	00101	108	26.5
28	Intermittent 400Hz 500ms on /500ms off	00100	98	14.2
29	Intermittent 400Hz 500ms on /250ms off	00011	95	13.5
30	Sweeping 320/480 Hz at 40Hz	00010	95	14.0
31	Intermittent 2kHz 200ms on /500ms off	00001	108	14.0
32	Off	00000		

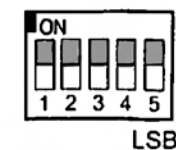
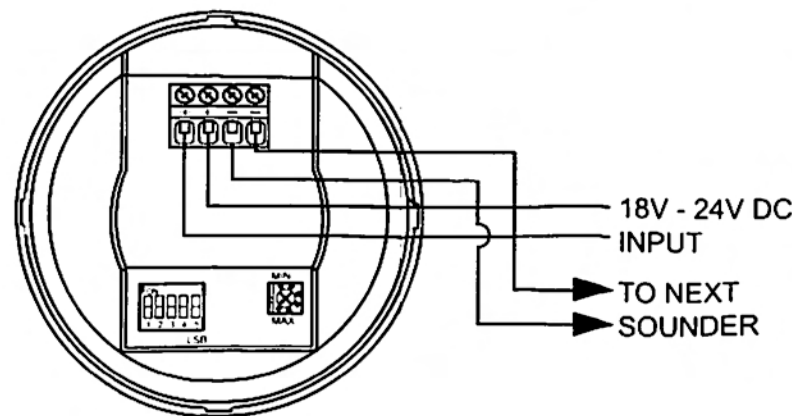
Tone 1) Alternating Tones, 800/970Hz @ 2Hz

Operational Performance Max. 24V DC	
Angle	dB(A)
15°	81.3
45°	87
75°	93
105°	94.5
135°	87.3
165°	84.5

Tone 2) Sweeping Tones, 800/970Hz @ 7Hz

Operational Performance Max. 24V DC	
Angle	dB(A)
15°	81.0
45°	85.6
75°	91.7
105°	92.7
135°	86.4
165°	83.3

*₁: Max. Sound Output 24V at 1m. Min. Sound pressure level for all tones exceeds 65dB(A)
 *₂: Typical Current (average mA).



Sound Output Tone: Switch to "ON" is "0", to numeric is "1".



Sound Output Level

